

Pump Profile: Electric Water Pump



Water Pump Info

Make - Dab

Dimensions - L424x W174 x H197

The electric water pump is great for pumping clean and debris free liquid. This makes the electric water pump ideal for job like tank filling, domestic water supply, water transfer and pressure boosting.

Features:

- Self-priming jet assisted centrifugal pump provides higher pressure and great suction ability.
- Pump body and impeller made from stainless steel, ejector made of plastics with high intensity and abrasion proof.
- TEFC motor corrosion resistant which will exclude dust and dirt. Protected against both high operating temperature and high current by a built-in automatically resetting thermal overload.
- Screwed suction and discharge, quick and easy installation.
- 25mm Plasson inlet / outlet connectors

Please see page two for more information



TARDIS

ENVIRONMENTAL UK

www.tardishire.co.uk



Nationwide Service: 0800 731 0589



Electric Water Pump: Specifications

Pump Data:

Pressure Rating: 1.5 Bar
Min Fluid Temperature: -10°C
Max Fluid Temperature: 35°C
Max Temperature Operating: 40°C

Priming Capacity:

H m	2	3	4	5	6	7	8	9
Q l/s	0.85	0.783	0.683	0.633	0.567	0.467	0.383	0.3

Requested Data:

Flow: 0.00 l/s
Head: 0.00m
Fluid: Water Pure
Fluid Temperature: 20°C
Density: 0.9983 kg/dm³
Kinematic Viscosity: 1.005 mm²/S
Vapor Pressure: 2.34 kPa

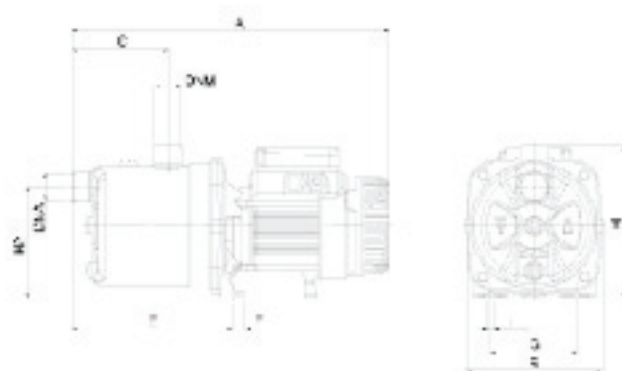
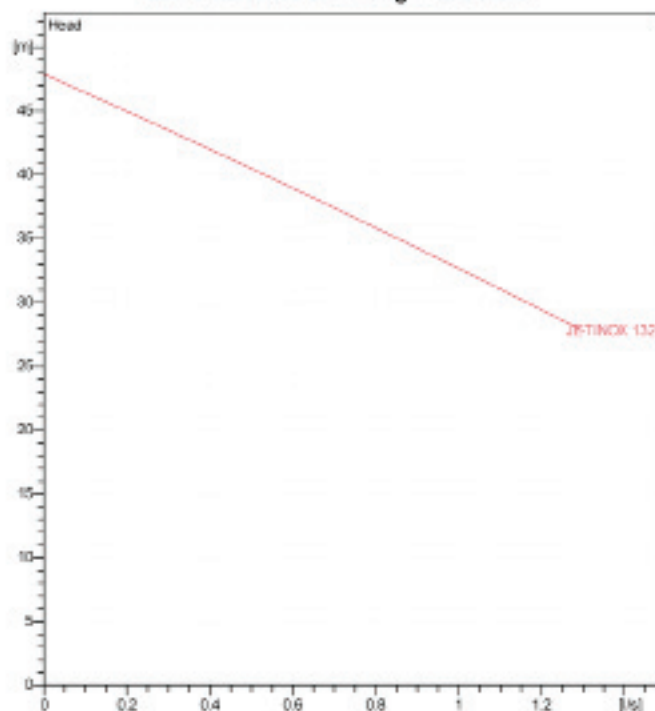
Materials:

Pump Body: AISI 304 x5 Cr Ni 1810 UNI 6900/71
Impeller: Technoply mer A
Shaft With Rotor: AISI 303 x10 Cr Nis 1809 UNI 6900/71
OR ring: Rubber NBR
Diffusor: Technoply mer A
Mechanical Seal: Carbon/Ceramic
Disc Seal: AISI 304 x5 Cr Ni 1810 UNI 6900/71

Motor Data:

Trade Mark: Dab
Nominal Power: P2: 1kW
Rated Speed: 2750 l/min
Rated Voltage: 1~ 230v 50Hz
Nominal Current: 6.6 A
Degree of protection: IP 44

Curve tolerance according to ISO 9906



Dimensions in MM

A: 424
B: 174
C: 122
DNA: 1" G
DNM: 1" G
E: 207
F: 14
G: 111
H: 197
H2: 144

Suction Connection

Suction
 1" G
 1.5 Bar